



1064nm Polarization Insensitive Single Stage & Dual Stage Isolator

(PSSI&PDSI Series)

The 1064nm Polarization Insensitive Isolator features a compact package, low insertion loss, high isolation, high return loss and excellent environmental stability and reliability. It is ideal for suppressing back reflection in fiber lasers and other high performance laser based fiber optics systems.



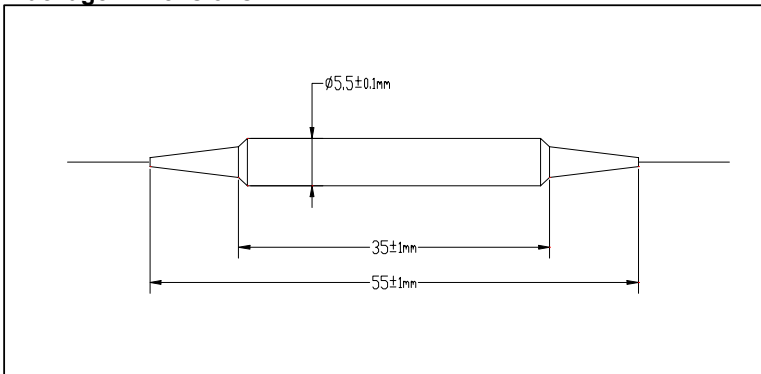
Specifications

Parameters	Unit	Single Stage		Dual Stage	
		Grade P	Grade A	Grade P	Grade A
Center Wavelength (λ_c)	nm		1064		
Typ. Peak Isolation	dB	40	38	55	52
Min. Isolation at 23°C; $\lambda_c \pm 10$ nm all polarization states	dB	30	28	45	42
Typ. Insertion Loss at 23°C; λ_c , all polarization states	dB	1.5	1.6	2.4	2.6
Max. Insertion Loss at -5°C-50°C; λ_c , all polarization states	dB	2.0	2.2	3.4	3.6
Min. Return Loss (Input/Output)	dB	55/50	55/50	55/50	55/50
Max. PDL at 23°C	dB	0.15	0.15	0.15	0.15
Max. Optical Power	mW		300		
Max. Tensile Load	N		5		
Fiber Type			HI 1060 Fiber		
Operating Temperature	°C		-5 to +50		
Storage Temperature	°C		-40 to +85		

*Above specifications are for device without connector.

*For devices with connectors, IL will be 0.3dB higher, RL will be 5dB lower.

Package Dimensions



Ordering Information

PSSI-06-①-②-③-④

PDSI-06-①-②-③-④

①: Grade

P - Premium grade

A - A grade

②: Connector Type

1 - FC/UPC

2 - FC/APC

3 - SC/UPC

4 - SC/APC

5 - LC/UPC

6 - ST/UPC

N - None

S - Specify

③: Fiber Type

B - 250um bare fiber

L - 900um loose tube

C - 3mm loose cable

S - Specify

④: Fiber Length

1 - 1.0m

S - Specify